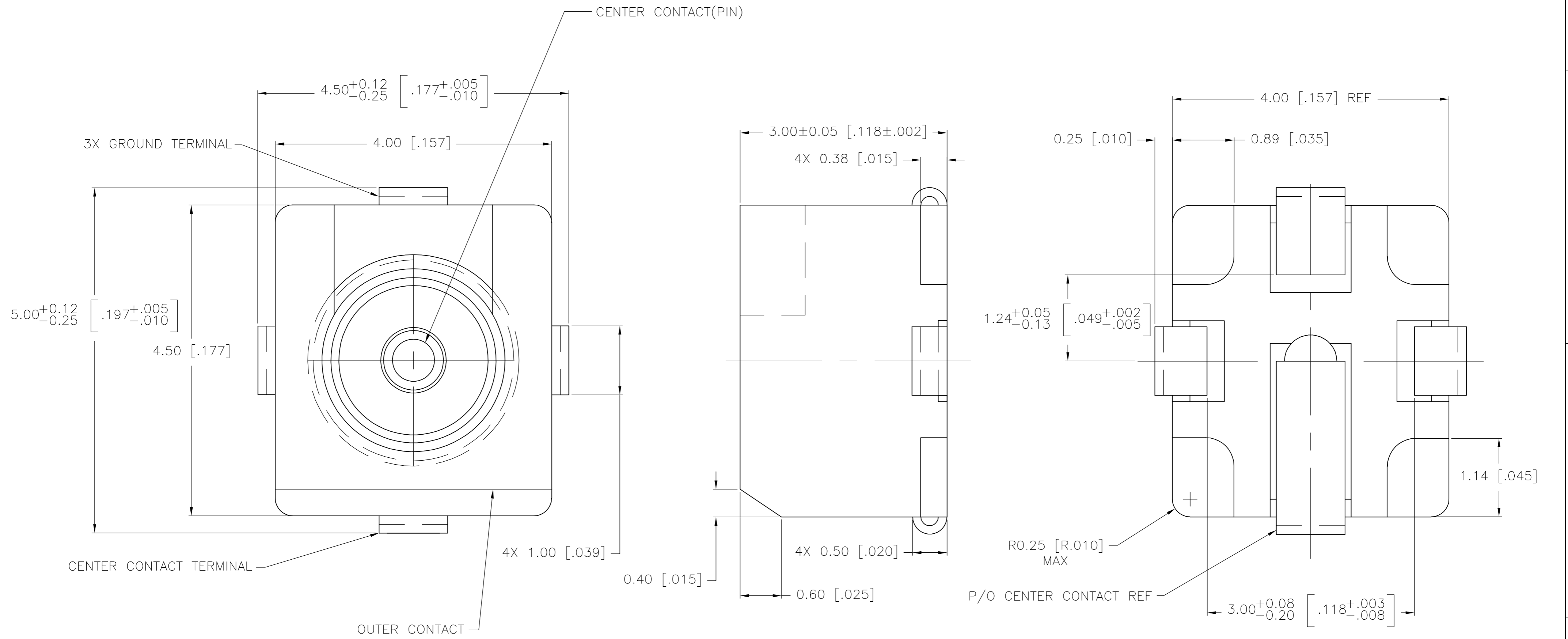


THIS DRAWING IS UNPUBLISHED. RELEASED FOR PUBLICATION  
 © COPYRIGHT BY TYCO ELECTRONICS CORPORATION. ALL RIGHTS RESERVED.

Loc		DIST		REVISIONS			
P	LTR	DESCRIPTION		DATE	DWN	APVD	
AJ	17	B		REDRAWN PER EC OS14-0016-05	26JAN05	BM	KW

- MATERIAL:  
HOUSING: POLYPHENYLENE SULFIDE.  
CONTACTS: COPPER ALLOY CDA752.
- FINISH:  
CONTACTS: GOLD PLATE OVER DUCTILE NICKEL PLATE.

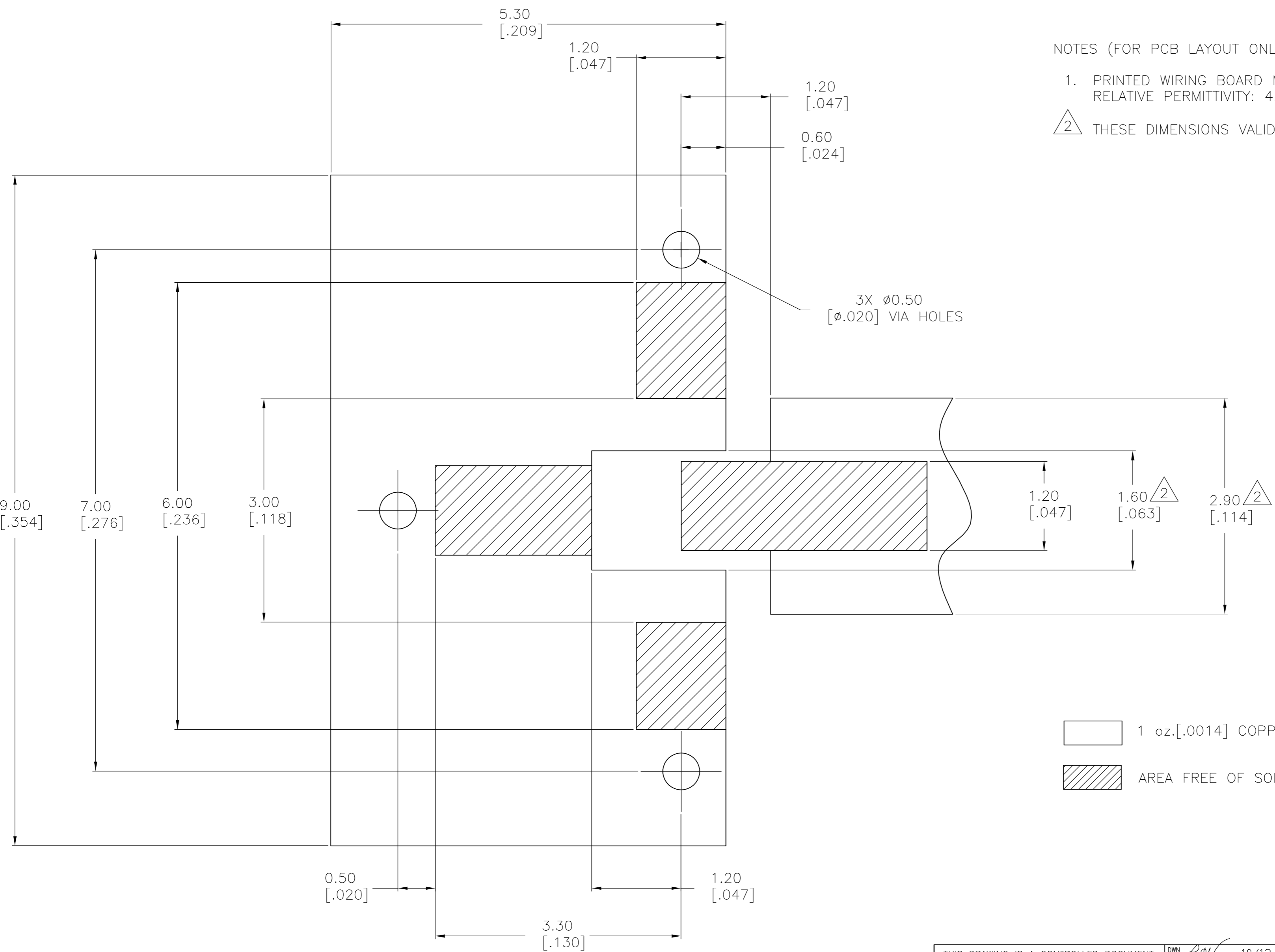


1055690-1  
PART NUMBER

THIS DRAWING IS A CONTROLLED DOCUMENT.		DWN <i>PCW</i> 10/12/94	<b>tyco</b> Tyco Electronics Corporation	
DIMENSIONS: mm [INCHES]		CHK	Harrisburg, Pa 17105-3608	
TOLERANCES UNLESS OTHERWISE SPECIFIED:		APVD <i>PCW</i> 10/12/94	NAME	
0 PLC ± -		PRODUCT SPEC	STRAIGHT OSMT PCB	
1 PLC ± -		APPLICATION SPEC	MOUNT PLUG RECEPTACLE	
2 PLC ± -		WEIGHT	SIZE	CAGE CODE
3 PLC ± 0.13 [.005]		CUSTOMER DRAWING	A2	00779
4 PLC ± -		SCALE	DRAWING NO	
ANGLES ± 1°		SHEET	RESTRICTED TO	
FINISH		REV	-	
-		25:1	C=1055690	
		1 OF 2		
		B		

THIS DRAWING IS UNPUBLISHED. RELEASED FOR PUBLICATION  
 © COPYRIGHT BY TYCO ELECTRONICS CORPORATION. ALL RIGHTS RESERVED.

Loc	DIST	REVISIONS			
P	LTR	DESCRIPTION	DATE	DWN	APVD
AJ	17	SEE SHEET 1	-	-	-



NOTES (FOR PCB LAYOUT ONLY):  
 1. PRINTED WIRING BOARD MATERIAL: GLASS EPOXY. FR-4 OR SIMILAR, RELATIVE PERMITTIVITY: 4.8oz. COPPER CLAD BOTH SIDES.  
 2. THESE DIMENSIONS VALID FOR 1.60[.062] BOARD THICKNESS.

RECOMMENDED MOUNTING PATTERN FOR MICROSTRIP LINE

THIS DRAWING IS A CONTROLLED DOCUMENT.		DWN <i>PCW</i> 10/12/94	<b>tyco</b> Tyco Electronics Corporation	
DIMENSIONS: mm[INCHES]		CHK	Harrisburg, Pa 17105-3608	
TOLERANCES UNLESS OTHERWISE SPECIFIED:		APVD <i>PCW</i> 10/12/94	NAME	
0 PLC ± -		PRODUCT SPEC	STRAIGHT OSMT PCB	
1 PLC ± -		APPLICATION SPEC	MOUNT PLUG RECEPTACLE	
2 PLC ± -		WEIGHT	SIZE	CAGE CODE
3 PLC ± 0.13[.005]		CUSTOMER DRAWING	A2	00779
4 PLC ± -		SCALE	DRAWING NO	
ANGLES ± 1°		SHEET	RESTRICTED TO	
FINISH		25:1	C=1055690	
MATERIAL		OF	REV	
		2	B	

1055690